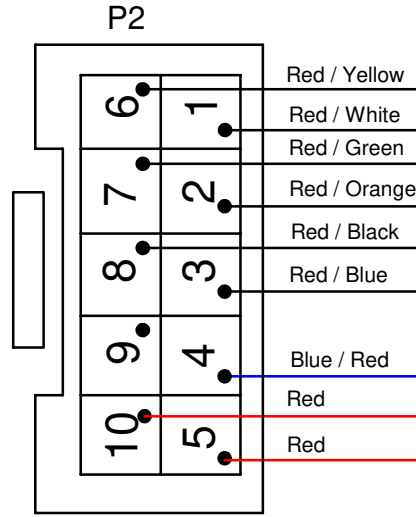
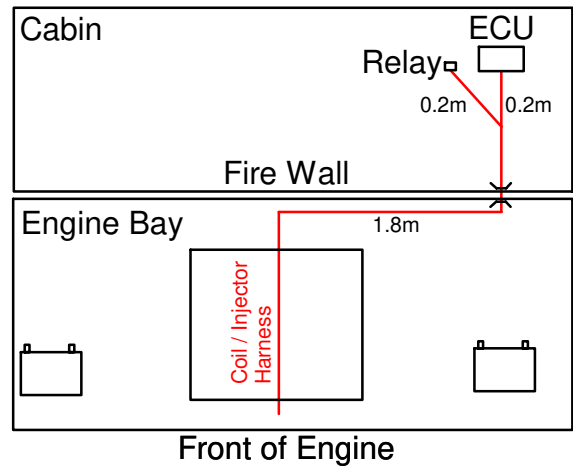
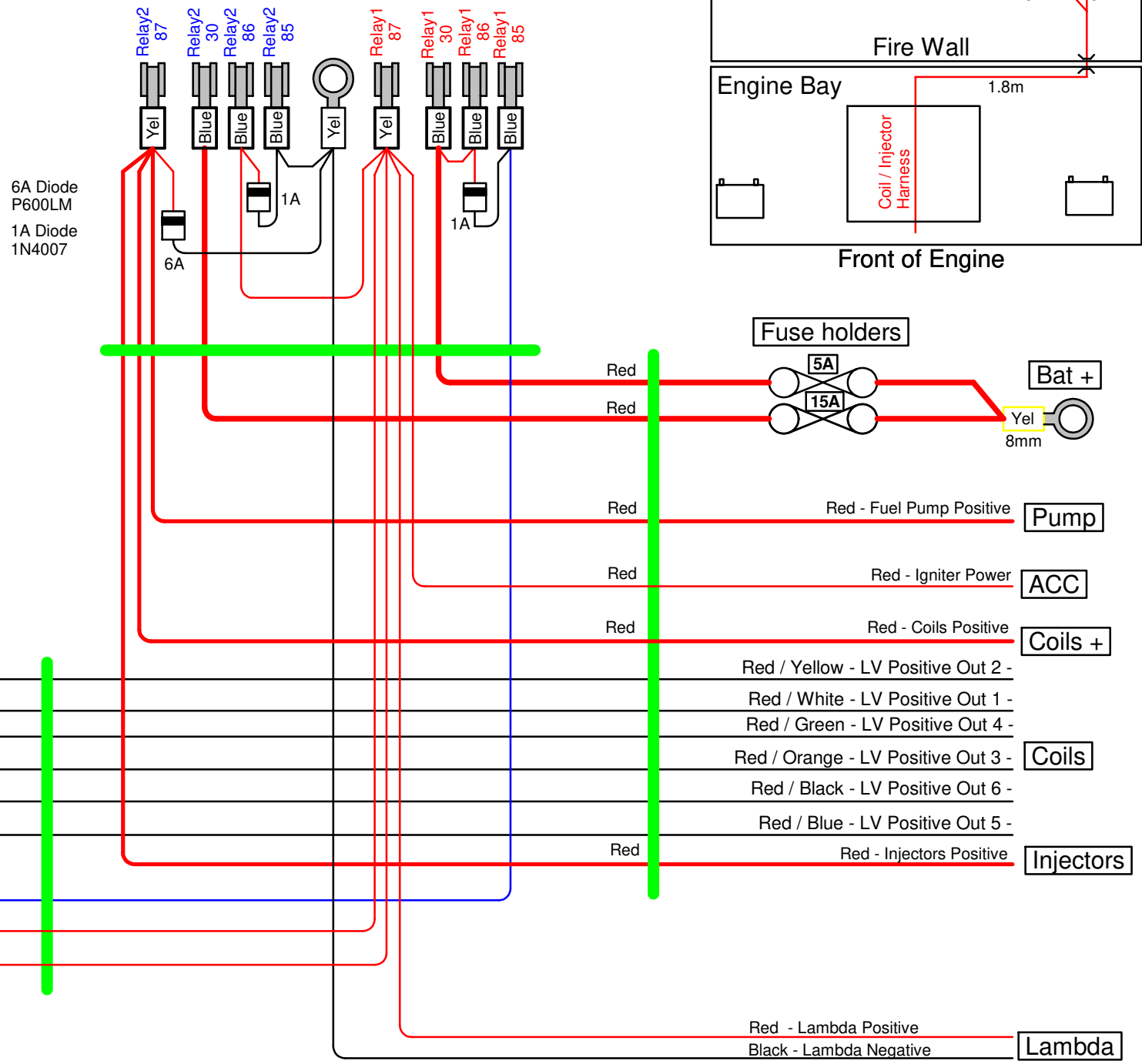


M13 P2 2Relay Output Harness Layout

Last Changed: 17/04/2024

Products that can use this harness

Mercury, Mercury2, Mercury3



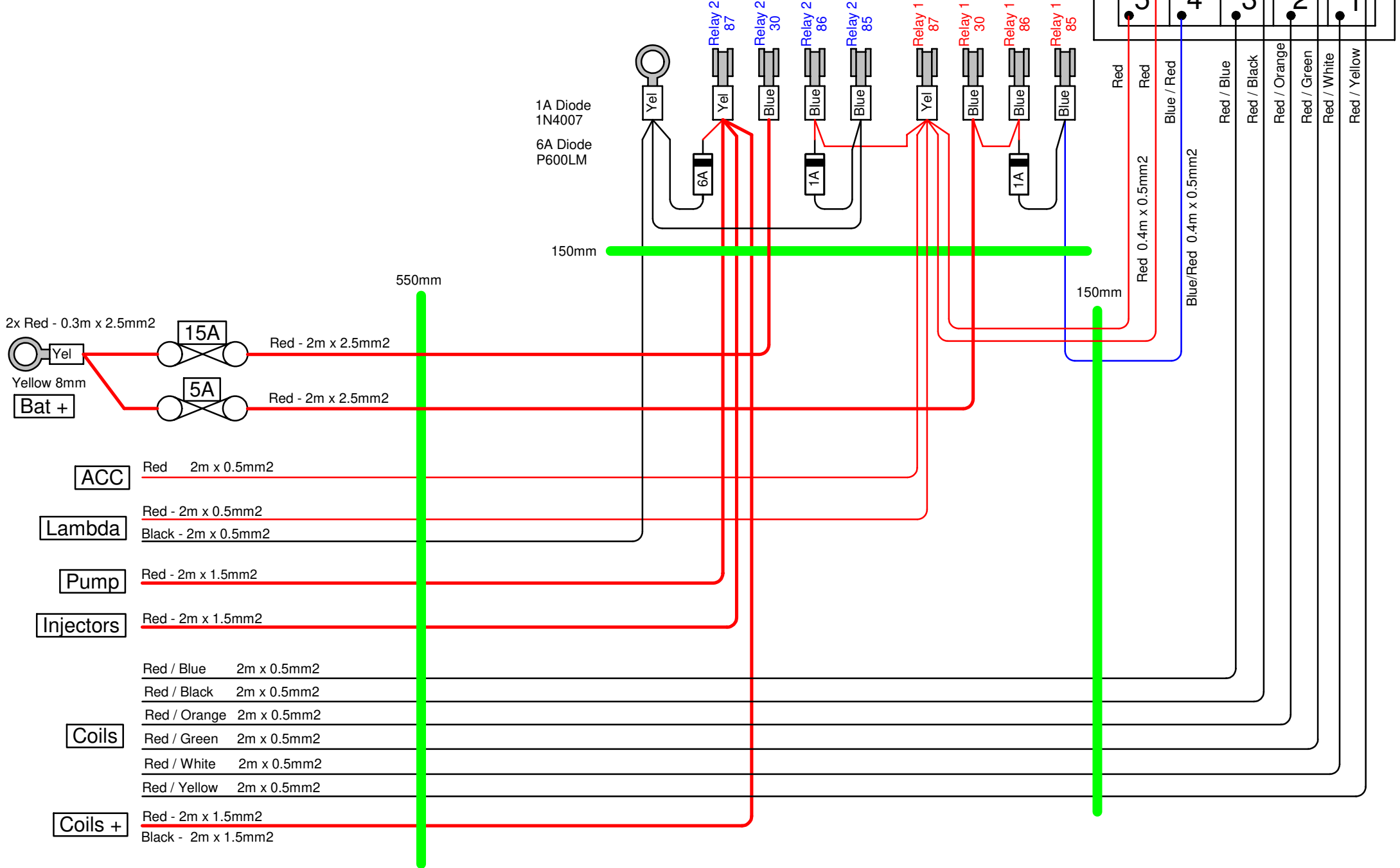
M13 P2 2Relay Output Harness Design

Last Changed: 17/04/2024

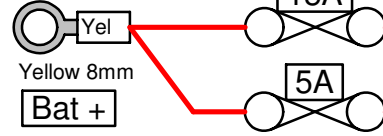
Products that can use this harness

Mercury, Mercury2, Mercury3

Note! Use fully insulated Lugs.
Use Relay Holders



2x Red - 0.3m x 2.5mm2



Red - 2m x 2.5mm2

Red - 2m x 2.5mm2

ACC

Red 2m x 0.5mm2

Lambda

Red - 2m x 0.5mm2

Black - 2m x 0.5mm2

Pump

Red - 2m x 1.5mm2

Injectors

Red - 2m x 1.5mm2

Coils

Red / Blue 2m x 0.5mm2

Red / Black 2m x 0.5mm2

Red / Orange 2m x 0.5mm2

Red / Green 2m x 0.5mm2

Red / White 2m x 0.5mm2

Red / Yellow 2m x 0.5mm2

Coils +

Red - 2m x 1.5mm2

Black - 2m x 1.5mm2

1A Diode
1N4007

6A Diode
P600LM

150mm

550mm

150mm

Red

Red

Blue / Red

Red / Blue

Red / Black

Red / Orange

Red / Green

Red / White

Red / Yellow

10

9

8

7

6

5

4

3

2

1

Red 0.4m x 0.5mm2

Blue/Red 0.4m x 0.5mm2

Relay 2
87

Relay 2
30

Relay 2
86

Relay 2
85

Relay 1
87

Relay 1
30

Relay 1
86

Relay 1
85

Yel

Yel

Blue

Blue

Blue

Yel

Blue

Blue

Blue

Yel

6A

1A

1A

150mm